

2 x



2 x



1 x

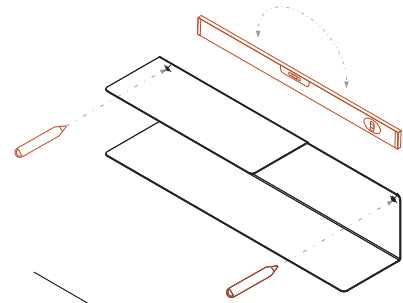


For installation, use expansion plug suitable for wall construction.

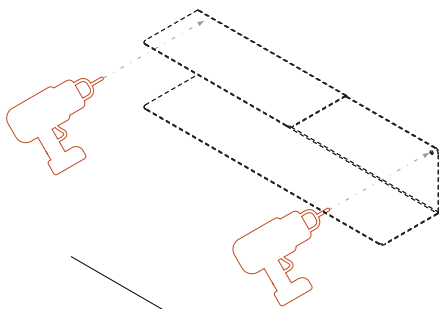
Not recommended for plaster walls.

Max. load 10 kg

1.



2.



drill 8mm

3.

