

2 x



2 x



1 x

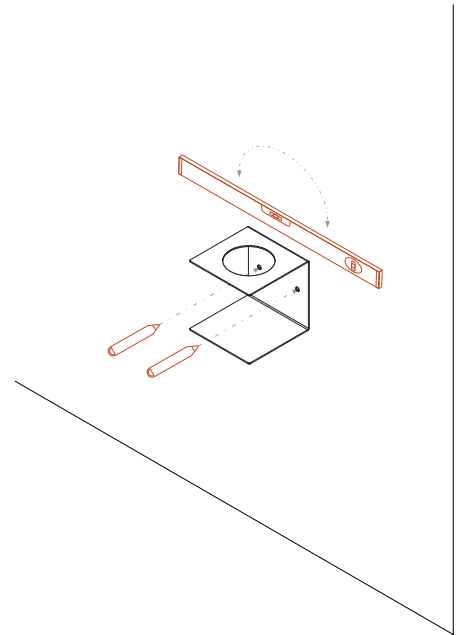


For installation, use expansion plug suitable for wall construction.

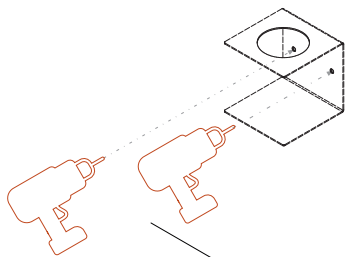
Not recommended for plaster walls.

Max. load 5 kg

1.

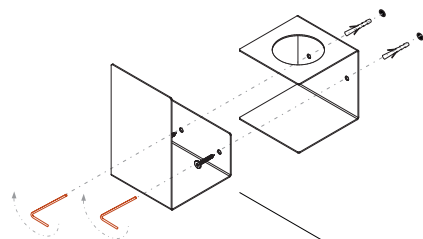


2.

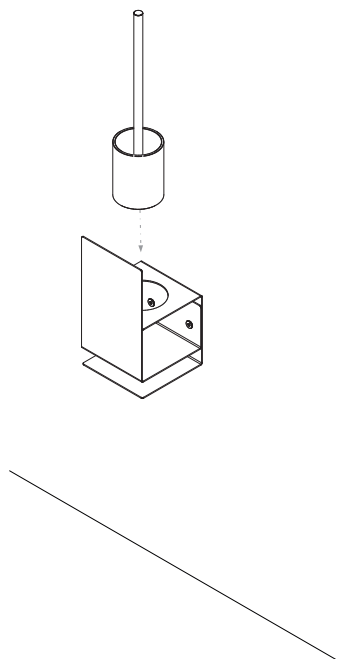


drill 8mm

3.



4.



5.

