

2/3 x



1 x



1 x

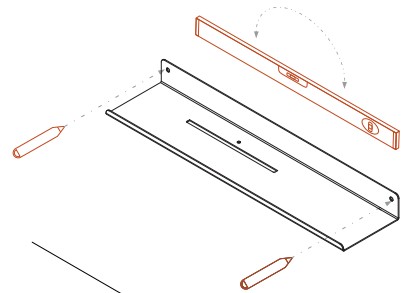


For installation, use expansion plug suitable for wall construction.

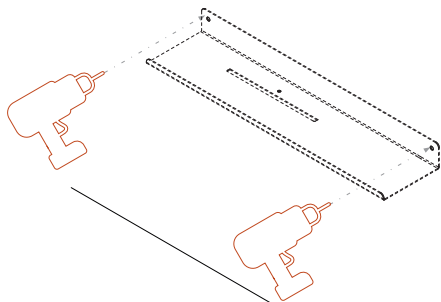
Not recommended for plaster walls.

Max. load 10 kg

1.

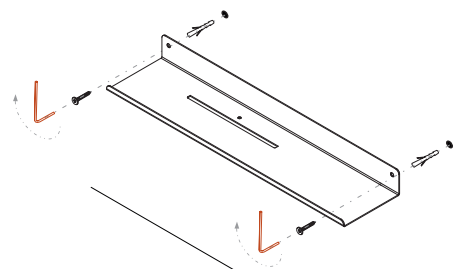


2.

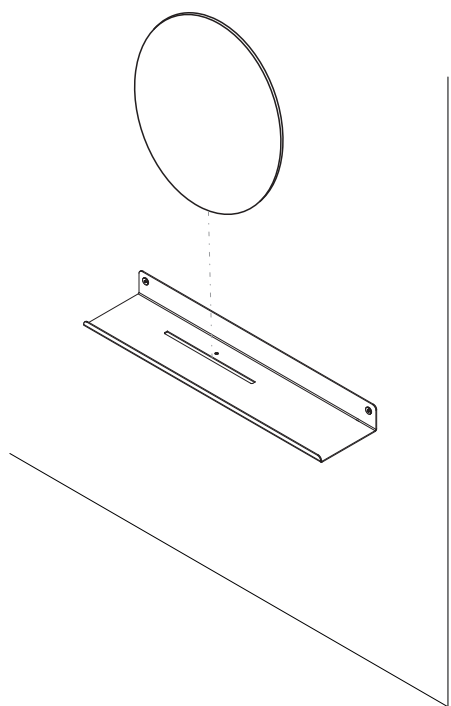


drill 8mm

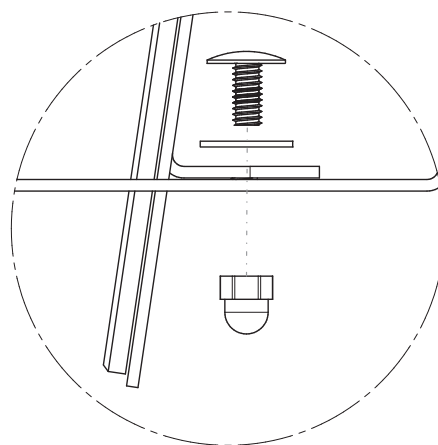
3.



4.



5.



6.

