


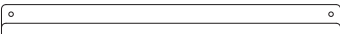


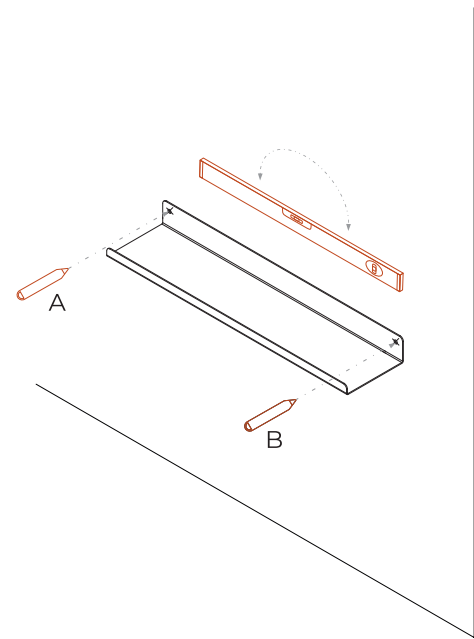
2 x	2 x	1 x
		
		

For installation, use expansion plug suitable for wall construction.

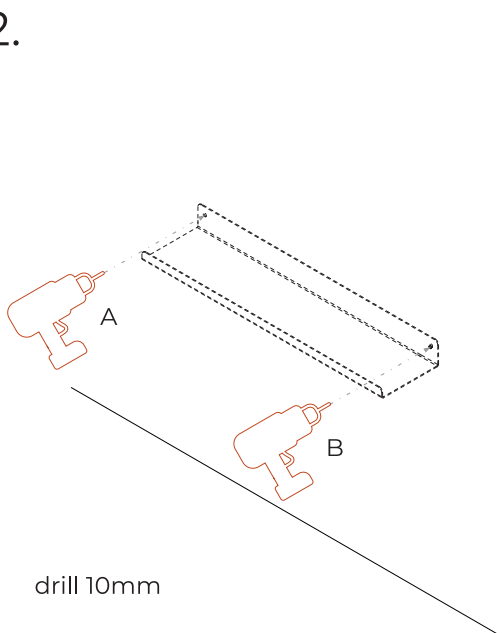
Not recommended for plaster walls.

Max. load 10 kg

1.



2.



3.

