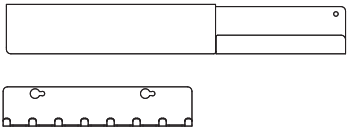



3 x      3 x      1 x

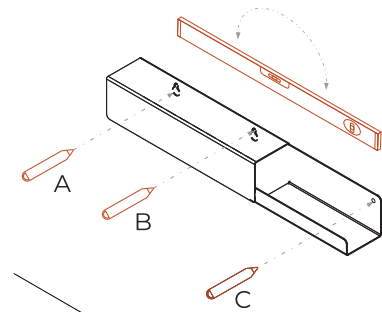


For installation, use expansion plug suitable for wall construction.

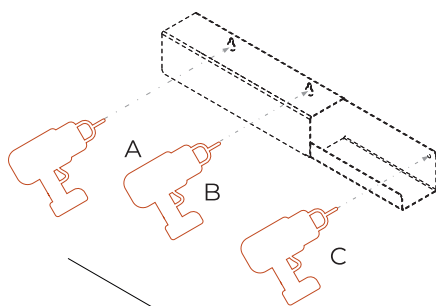
Not recommended for plaster walls.

Max. load 10 kg

1.

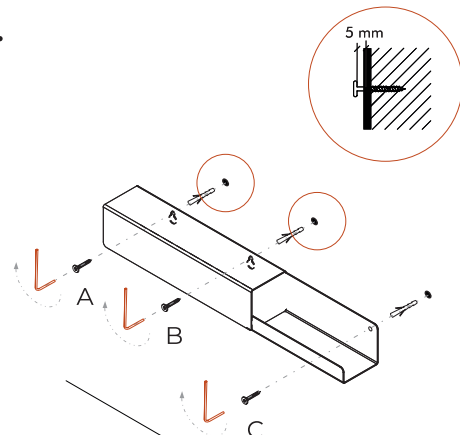


2.

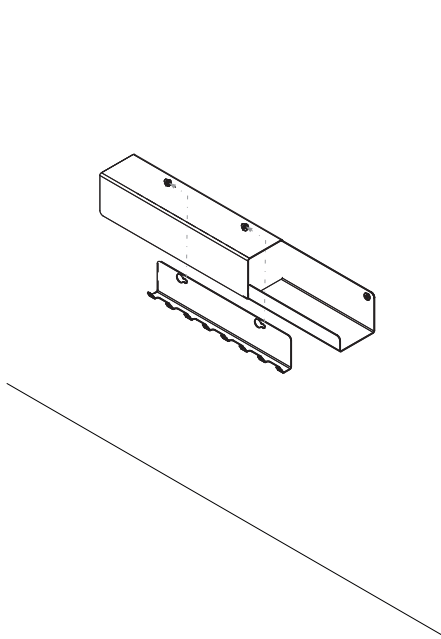


drill 10mm

3.



4.



5.

